

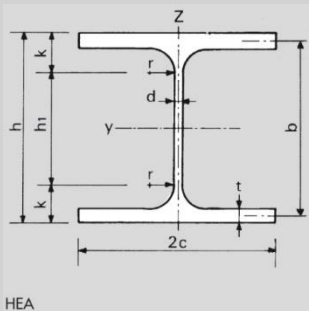
Centine con profili HEA, HEB e HEM

belloli

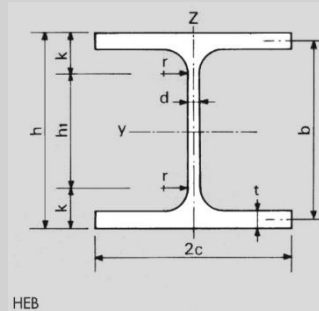


Caratteristiche:

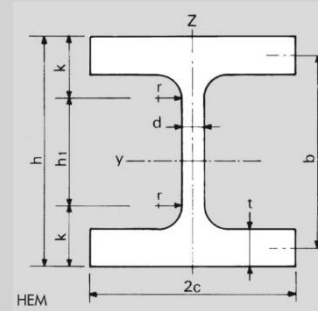
- Tipi di profilo: HEA, HEB e HEM
- Qualità dell'acciaio: S235 oppure S355
- Tensione a snervamento (f_y): S235 > 235 N/mm²
S355 > 355 N/mm²
- Tensione a rottura (f_t): S235 > 360 N/mm²
S355 > 510 N/mm²



HEA



HEB



HEM

	Valori statici											Raggio di curvatura minimo [m]	Dimensioni dei profili								
	Peso [kg/m]	A [mm ²]	A _w [mm ²]	I _y [mm ⁴ x 10 ⁶]	W _y [mm ³ x 10 ³]	Z _y [mm ³ x 10 ³]	I _y [mm ⁴]	I _z [mm ⁴ x 10 ⁶]	W _z [mm ³ x 10 ³]	Z _z [mm ³ x 10 ³]	i _z [mm]		b [mm]	h [mm]	2c [mm]	d [mm]	t [mm]	r [mm]			
HEA																					
100	16.7	2120	440	3.5	73	83	40.6	1.34	26	41	25.1	1.4	88	96	100	5	8	12			
120	19.9	2530	530	6.1	106	119	48.9	2.31	38	59	30.2	1.4	106	114	120	5	8	12			
140	24.7	3140	685	10.3	155	173	57.3	3.89	55	85	35.2	1.5	125	133	140	5.5	8.5	12			
160	30.4	3880	858	16.7	220	246	65.7	6.16	76	118	39.8	1.7	143	152	160	6	9	15			
180	35.5	4530	969	15.1	294	324	74.5	9.25	103	157	45.2	1.9	162	171	180	6	9.5	15			
200	42.3	5380	1170	36.9	389	430	82.8	13.4	134	204	49.8	2	180	190	200	6.5	10	18			
220	50.5	6430	1390	54.1	515	568	91.7	19.5	178	271	55.1	3	199	210	220	7	11	18			
240	60.3	7680	1640	77.6	675	744	101	27.7	231	352	60	3.5	218	230	240	7.5	12	21			
260	68.2	8680	1735	105	836	920	110	36.7	282	430	65	4	238	250	260	7.5	13	24			
HEB																					
100	20.4	2600	540	4.5	90	104	41.6	1.67	33	51	25.3	1.2	90	100	100	6	10	12			
120	26.7	3400	708	8.6	144	165	50.4	3.18	53	81	30.6	1.5	109	120	120	6.5	11	12			
140	33.7	4300	896	15.1	216	246	59.3	5.5	79	120	35.8	1.6	128	140	140	7	12	12			
160	42.6	5430	1180	24.9	311	354	67.8	8.89	111	170	40.5	1.9	147	160	160	8	13	15			
180	51.2	6530	1410	38.3	426	482	76.6	13.6	151	231	45.7	2.5	166	180	180	8.5	14	15			
200	61.3	7810	1660	57	570	642	85.4	20	200	306	50.7	3	185	200	200	9	15	18			
220	71.5	9100	1940	80.9	736	828	94.3	28.4	258	394	55.9	3.8	204	220	220	9.5	16	18			
240	83.2	10600	2230	113	938	1050	103	39.2	327	499	60.8	4	223	240	240	10	17	21			
260	93	11800	2420	149	1150	1280	112	51.3	395	603	65.8		243	260	260	10	18	24			
HEM																					
100	41.8	5320	1200	11.4	190	263	46.3	4	75	116	27.4	1.6	100	120	106	12	20	12			
120	52.1	6640	1490	20.2	288	350	55.1	7	112	171	32.5	1.8	119	140	126	12.5	21	12			
140	63.2	8060	1790	32.9	411	494	63.9	11.4	157	240	37.7	2	138	160	146	13	22	12			
160	76.2	9710	2200	51	566	674	72.5	17.6	212	324	42.6	3.5	157	180	166	14	23	15			
180	88.9	11300	2550	74.8	748	884	81.3	25.8	277	424	47.7	3.8	176	200	186	14.5	24	15			
200	103	13100	2920	106	967	1136	90	36.5	354	541	52.7	4	195	220	206	15	25	18			
220	117	14900	3320	146	1220	1420	98.9	50.1	444	677	57.9		214	240	226	15.5	26	18			
240	157	20000	4280	243	1800	2120	110	81.5	657	1000	63.9		238	270	248	18	32	21			
260	172	22000	4640	313	2160	2520	119	105	780	1190	69		258	290	268	18	33	24			

Altre dimensioni disponibili su richiesta